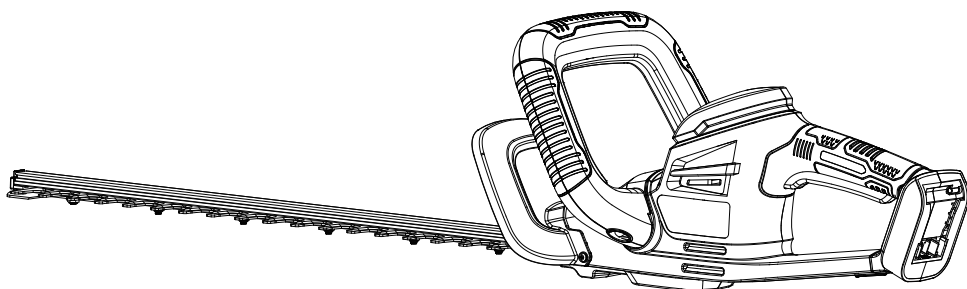


4SISON®

20V MAX LITHIUM-ION CORDLESS HEDGE TRIMMER

Model: HTX2-M-EU

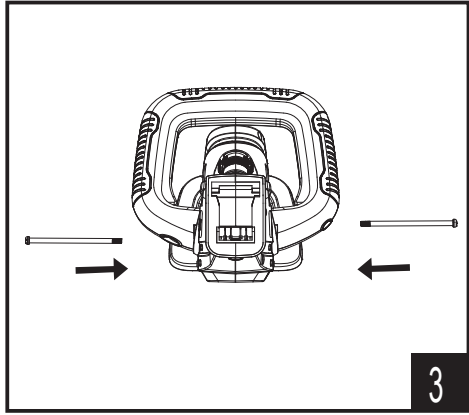
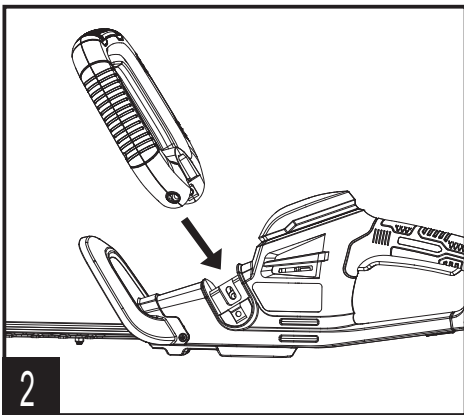
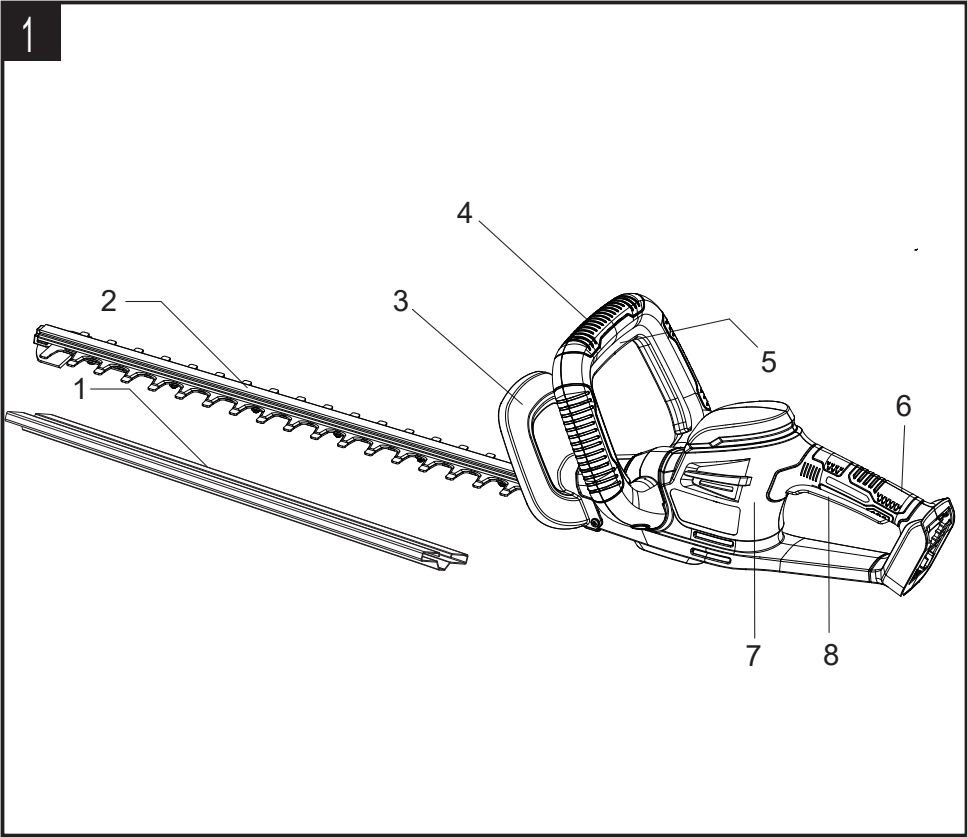


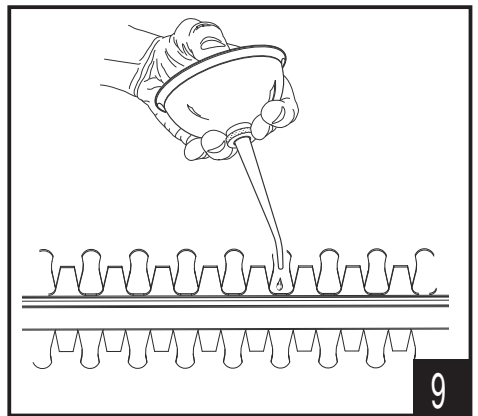
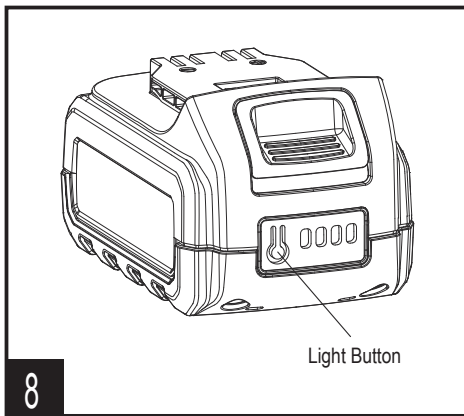
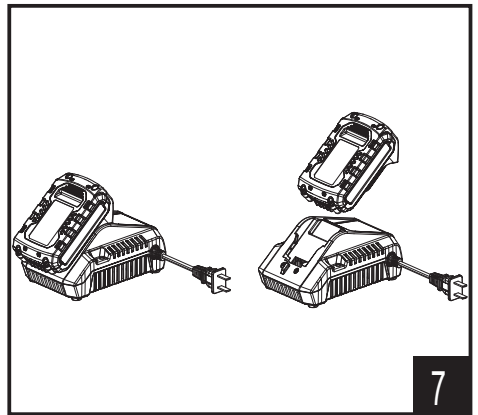
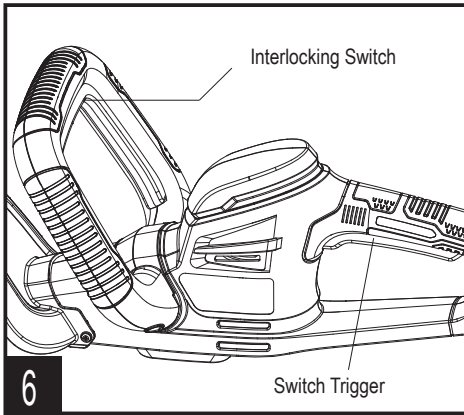
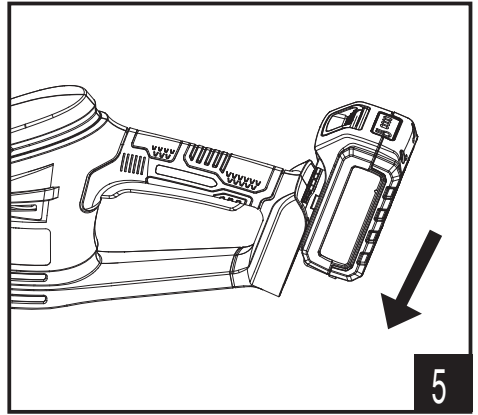
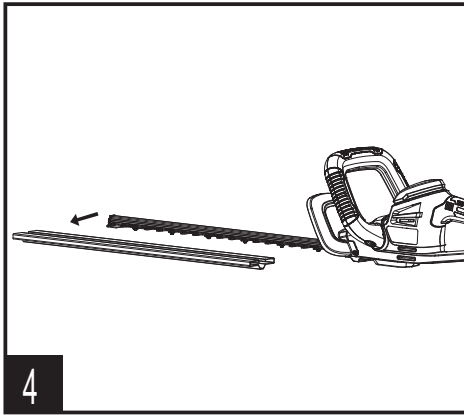
Distributed by:
SABRE ITALIA SRL
Via Spinà, 9
36033 Isola Vicentina (VI)
Tel. 0444 977655
email: info@sabreitalia.com
www.sabreitalia.com


SABRE ITALIA
Attrezzati per natura

For customer support please call the number +39 0444 977655 or send an e-mail to: service@sabreitalia.com
CAUTION: BEFORE USING THIS PRODUCT, READ THIS MANUAL AND
FOLLOW ALL ITS SAFETY RULES AND OPERATING INSTRUCTIONS.

ORIGINAL INSTRUCTIONS





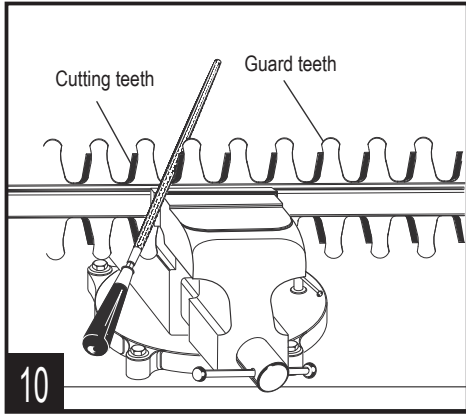


TABLE OF CONTENTS

SAFETY & INTERNATIONAL SYMBOLS	5
SAFETY INSTRUCTIONS.....	6
KNOW YOUR UNIT.....	16
SPECIFICATIONS*.....	16
ASSEMBLY.....	17
OPERATION.....	18
MAINTENANCE.....	20
TROUBLESHOOTING.....	21

SAFETY & INTERNATIONAL SYMBOLS

Explanation of Safety & international symbols describes safety and international symbols and pictographs that may appear on this product. Read the operator's manual for complete safety, assembly, operating and maintenance and repair information.



Caution / Warning.



To reduce the risk of injury, user must read instruction manual.



Wear eye protection.



Wear ear protection



Wear head protection.



DANGER – Keep hands away from blade.



Do not use in rain or wet conditions.



Wear safety footwear.



Wear protective gloves.



Do not dispose of battery packs in rivers or immerse in water.



Do not dispose of battery packs in fire. They will explode and cause injury.



Use and store the battery within a temperature below 50°C.



Do not disassemble, crush, heat above 100°C; Never expose the battery to microwaves or high pressures.



Keep bystanders a safe distance away from the work area.



Indoor use only. Only use battery charger indoors.



This products meets the requirements of the relevant standards.



Waste electrical products should not be disposed of with household waste. Please recycle where facilities exist. Check with your Local Authority or local store for recycling advice.



Crossed out dust bin. Batteries and battery packs should not be disposed of with household waste. Please recycle where facilities exist. Check with your Local Authority or local store for recycling advice.



Guaranteed Sound power level 95 dB(A)

SAFETY INSTRUCTIONS

GENERAL POWER TOOL SAFETY WARNINGS

WARNING!

Read all safety warnings and all instructions. Failure to follow the warnings and instructions may result in electric shock, fire and/or serious injury.

Save all warnings and instructions for future reference.

The term "power tool" in the warnings refers to your mains-operated (corded) power tool or battery-operated (cordless) power tool.

1) Work area safety

- a) Keep work area clean and well lit. Cluttered or dark areas invite accidents.
- b) Do not operate power tools in explosive atmospheres, such as in the presence of flammable liquids, gases or dust. Power tools create sparks which may ignite the dust or fumes.
- c) Keep children and bystanders away while operating a power tool. Distractions can cause you to lose control.

2) Electrical safety

- a) Power tool plugs must match the outlet. Never modify the plug in any way. Do not use any adapter plugs with earthed (grounded) power tools. Unmodified plugs and matching outlets will reduce risk of electric shock.
- b) Avoid body contact with earthed or grounded surfaces, such as pipes, radiators, ranges and refrigerators. There is an increased risk of electric shock if your body is earthed or grounded.
- c) Do not expose power tools to rain or wet conditions. Water entering a power tool will increase the risk of electric shock.
- d) Do not abuse the cord. Never use the cord for carrying, pulling or unplugging the power tool. Keep cord away from heat, oil, sharp edges or moving parts. Damaged or entangled cords increase the risk of electric shock.
- e) When operating a power tool outdoors, use an extension cord suitable for outdoor use. Use of a cord suitable for outdoor use reduces the risk of electric shock.
- f) If operating a power tool in a

damp location is unavoidable, use a residual current device (RCD) protected supply. Use of an RCD reduces the risk of electric shock.

3) Personal safety

- a) Stay alert, watch what you are doing and use common sense when operating a power tool. Do not use a power tool while you are tired or under the influence of drugs, alcohol or medication. A moment of inattention while operating power tools may result in serious personal injury.
- b) Use personal protective equipment. Always wear eye protection. Protective equipment such as dust mask, non-skid safety shoes, hard hat, or hearing protection used for appropriate conditions will reduce personal injuries.
- c) Prevent unintentional starting. Ensure the switch is in the off-position before connecting to power source and/or battery pack, picking up or carrying the tool. Carrying power tools with your finger on the switch or energising power tools that have the switch on invites accidents.
- d) Remove any adjusting key or

wrench before turning the power tool on. A wrench or a key left attached to a rotating part of the power tool may result in personal injury.

- e) Do not overreach. Keep proper footing and balance at all times. This enables better control of the power tool in unexpected situations.
- f) Dress properly. Do not wear loose clothing or jewellery. Keep your hair, clothing and gloves away from moving parts. Loose clothes, jewellery or long hair can be caught in moving parts.
- g) If devices are provided for the connection of dust extraction and collection facilities, ensure these are connected and properly used. Use of dust collection can reduce dust-related hazards.
- h) Do not let familiarity gained from frequent use of tools allow you to become complacent and ignore tool safety principles. A careless action can cause severe injury within a fraction of a second.

4) Power tool use and care

- a) Do not force the power tool. Use the correct power tool for your application. The correct power tool will do the job better and

safer at the rate for which it was designed.

- b) Do not use the power tool if the switch does not turn it on and off. Any power tool that cannot be controlled with the switch is dangerous and must be repaired.
- c) Disconnect the plug from the power source and/or the battery pack from the power tool before making any adjustments, changing accessories, or storing power tools. Such preventive safety measures reduce the risk of starting the power tool accidentally.
- d) Store idle power tools out of the reach of children and do not allow persons unfamiliar with the power tool or these instructions to operate the power tool. Power tools are dangerous in the hands of untrained users.
- e) Maintain power tools. Check for misalignment or binding of moving parts, breakage of parts and any other condition that may affect the power tool's operation. If damaged, have the power tool repaired before use. Many accidents are caused by poorly maintained power tools.
- f) Keep cutting tools sharp and clean. Properly maintained cutting tools with sharp cutting edges are less likely to bind and are easier to control.
- g) Use the power tool, accessories and tool bits etc. in accordance with these instructions, taking into account the working conditions and the work to be performed. Use of the power tool for operations different from those intended could result in a hazardous situation.
- h) Keep handles and grasping surfaces dry, clean and free from oil and grease. Slippery handles and grasping surfaces do not allow for safe handling and control of the tool in unexpected situations.

5) Battery tool use and care

- a) Recharge only with the charger specified by the manufacturer. A charger that is suitable for one type of battery pack may create a risk of fire when used with another battery pack.
- b) Use power tools only with specifically designated battery packs. Use of any other battery packs may create a risk of injury and fire.
- c) When battery pack is not in use, keep it away from other metal

- objects, like paper clips, coins, keys, nails, screws or other small metal objects, that can make a connection from one terminal to another. Shorting the battery terminals together may cause burns or a fire.
- d) Under abusive conditions, liquid may be ejected from the battery; avoid contact. If contact accidentally occurs, flush with water. If liquid contacts eyes, additionally seek medical help. Liquid ejected from the battery may cause irritation or burns.
 - e) Do not use a battery pack or tool that is damaged or modified. Damaged or modified batteries may exhibit unpredictable behaviour resulting in fire, explosion or risk of injury.
 - f) Do not expose a battery pack or tool to fire or excessive temperature. Exposure to fire or temperature above 130 °C may cause explosion.
 - g) Follow all charging instructions and do not charge the battery pack or tool outside the temperature range specified in the instructions. Charging improperly or at temperatures outside the specified range may damage the battery and increase

the risk of fire.

6) Service

- a) Have your power tool serviced by a qualified repair person using only identical replacement parts. This will ensure that the safety of the power tool is maintained.
- b) Never service damaged battery packs. Service of battery packs should only be performed by the manufacturer or authorized service providers.

HEDGE TRIMMER SAFETY WARNINGS

- Do not use the hedge trimmer in bad weather conditions, especially when there is a risk of lightning. This decreases the risk of being struck by lightning.
- Keep all power cords and cables away from cutting area. Power cords or cables may be hidden in hedges or bushes and can be accidentally cut by the blade.
- Wear ear protection. Adequate protective equipment will reduce the risk of hearing loss.
- Hold the hedge trimmer by insulated gripping surfaces only, because the blade may contact hidden wiring. Blades contacting a "live" wire may make exposed metal p

arts of the hedge trimmer "live" and could give the operator an electric shock.

- Keep all parts of the body away from the blade. Do not remove cut material or hold material to be cut when blades are moving. Blades continue to move after the switch is turned off. A moment of inattention while operating the hedge trimmer may result in serious personal injury.
- When clearing jammed material or servicing the hedge trimmer, make sure all power switches are off and the battery pack is removed or disconnected. Unexpected actuation of the hedge trimmer while clearing jammed material or servicing may result in serious personal injury.
- When clearing jammed material or servicing the hedge trimmer, make sure all power switches are off and the lock-f is in the locked position. Unexpected actuation of the hedge trimmer while clearing jammed material or servicing may result in serious personal injury.
- Carry the hedge trimmer by the handle with the blade stopped and taking care not to operate any power switch. Proper carrying of

the hedge trimmer will decrease the risk of inadvertent starting and resultant personal injury from the blades.

- When transporting or storing the hedge trimmer, always use the blade cover. Proper handling of the hedge trimmer will decrease the risk of personal injury from the blades.

BATTERY PACK SAFETY WARNINGS

- Ensure the switch is in the off position before inserting battery pack. Inserting the battery pack into machines that have the switch on can cause accidents.
- Use only original battery packs intended specifically for this machine. Use of any other battery packs may create a risk of injury and fire.
- Do not open the battery. Danger of short-circuiting.
- Protect the battery against heat (e. g., against continuous intense sunlight and fire) water and moisture. Danger of explosion.
- In case of damage and improper use of the battery, vapours may be emitted. Ventilate the area and seek medical help in case of complaints. The vapours can

irritate the respiratory system.

- Use the battery pack only in product family. This measure alone protects the battery against dangerous overload.
- The battery can be damaged by pointed objects such as nails or screwdrivers or by force applied externally. An internal short circuit can occur and the battery can burn, smoke, explode or overheat.
- Do not short-circuit the battery. There is danger of explosion.
- Longest life and best performance can be obtained if the battery pack is charged when the air temperature is between 18°C and 24°C. DO NOT charge the battery pack in an air temperature below 0°C, or above 40°C. This is important and will prevent serious damage to the battery pack.
- Do not store the battery outside or in vehicles. Store the battery within an temperature between 0°C and 50°C.
- Occasionally clean the venting slots and contact pins of the battery pack using a soft, clean and dry brush.

BATTERY CHARGER SAFETY

WARNINGS



Read all safety warnings and instructions before using the charger.



Only for indoor use!



Class II protection.

- This appliance is not intended for use by children and persons with physical, sensory or mental limitations or a lack of experience or knowledge. This appliance can be used by children aged from 8 years and above and persons with reduced physical, sensory or mental capabilities or lack of experience and knowledge if they have been given supervision or instruction concerning use of the appliance in a safe way and understand the hazards involved. Children shall not play with the appliance. Cleaning and user maintenance shall not be made by children without supervision.
- Only charge the Lithium-Ion battery pack with the capacity mentioned in this instruction manual. Do not charge non-rechargeable batteries.
- The battery and charger must be placed in a well ventilated area.

- Do not operate the battery charger on easily inflammable surfaces (e. g., paper, textiles, etc.) or surroundings. The heating of the battery charger during the charging process can pose a fire hazard.
- Do not cover the ventilation slots of the battery charger. Otherwise, the battery charger can overheat and no longer operate properly.
- The supply cord cannot be replaced. If the cord is damaged the appliance should be scrapped.
- If the supply cord is damaged, it must be replaced by the manufacturer, its service agent or similarly qualified persons in order to avoid a hazard.

VIBRATION AND NOISE REDUCTION

To reduce the impact of noise and vibration emission, limit the time of operation, use low-vibration and low-

noise operating modes as well as wear personal protective equipment. Take the following points into account to minimise the vibration and noise exposure risks:

- Only use the product as intended by its design and these instructions.
- Ensure that the product is in good condition and well maintained.
- Use correct attachments for the product and ensure they are in good condition.
- Keep tight grip on the handle.
- Maintain this product in accordance with these instructions and keep it well lubricated (where appropriate).
- Plan your work schedule to spread any high vibration tool use across a longer period of time.
- Prolonged use of the product exposes the user to vibrations that can cause a range of conditions collectively known as hand-arm vibration syndrome (HAVS) e. g. fingers going white; as well as specific afflictions such as carpal tunnel syndrome.
- To reduce this risk when using the product, always wear protective gloves and keep your

hands warm.

- The symptoms of HAVS include any combination of the following: Tingling and numbness in the fingers; Not being able to feel things properly; loss of strength in the hands; fingers going white (blanching) and becoming red and painful on recovery (particularly in the cold and wet, and probably only in the tips at first). Seek medical advice immediately if such symptoms are experienced.

EMERGENCY

Familiarize yourself with the use of this product by means of this instruction manual. Memorize the safety directions and follow them to the letter. This will help to prevent risks and hazards.

1. Always be alert when using this product, so that you can recognize and handle risks early. Fast intervention can prevent serious injury and damage to property.
2. Switch off the product and remove the battery pack if there are malfunctions. Have the product checked by a qualified professional and repaired, if necessary, before you operate it

again.

RESIDUAL RISKS

Even if you are operating this product in accordance with the provisions, residual risks will always still remain. The following dangers can arise in connection with the structure and design of this product:

1. Health defects resulting from vibration emission if the product is being used over longer period of time or not adequately managed and properly maintained.
2. Injuries and damage to property to due to broken accessories or hidden objects that are suddenly dashed.
3. Injuries and damage to property to due to thrown and fallen objects.
4. Prolonged use of this product expose the operator to vibrations and may produce 'whitefinger' disease. In order to reduce the risk, please wear gloves and keep your hands warm. If any of the 'whitefinger' symptoms appear, seek medical advice immediately. 'Whitefinger' symptoms include: numbness, loss of feeling, tingling, pricking, pain, loss of strength, changes

in skin colour or condition. These symptoms normally appear in the fingers, hands or wrists. The risk increases at low temperatures.

WARNING!

This unit produces an electromagnetic field during operation. This field may, under some circumstances, interfere with active or passive medical implants. To reduce the risk of serious or fatal injury, we recommend persons with medical implants to consult their physician and the medical implant manufacturer before operating this unit.

INTENDED USE

The product is intended for trimming hedges, bushes and shrubs. Do not cut branches exceeding the maximum cutting width of 20 mm. This product is intended for private domestic use only, not for any commercial use. It must not be used for any purposes other than those described.

KNOW YOUR UNIT

APPLICATIONS

Model: HTX2-M-EU

As a hedge trimmer:

Cutting and trimming hedges and bushes in domestic use.

1	Blade Cover
2	Cutting Blade
3	Guard
4	Front Handle
5	Interlocking Switch
6	Handle
7	Housing
8	Battery Pack

SPECIFICATIONS*



NOTE:

HTX2-M-EU does not include the charger and the battery pack.

Model	HTX2-M-EU			
Input voltage	18 V d.c.			
No-load speed	2600spm			
Cutting length	450mm			
Cutting capacity	28 mm			
Weight without battery pack	2.5 kg			
Vibration level Main handle [m/s ²]	0.8			
Vibration level Front handle [m/s ²]	1.1			
Measurement Uncertainty K [m/s ²]	1.5			
Sound pressure value LpA [dB(A)]	81			
Sound power value LWA [dB(A)]	95			
Measurement Uncertainty KpA, KWA [dB(A)]	1.5			
Battery model	B20X2	B25X2	B40X2	B50X2
Rated voltage	<u>18 V</u>	<u>18 V</u>	<u>18 V</u>	<u>18 V</u>
Rated capacity	2.0 Ah	2.5 Ah	4.0 Ah	5.0 Ah
Weight	0.41 kg	0.41 kg	0.68 kg	0.68 kg
Charger model	CHX2		CHQX2	
Rated input	100-240 V ~ 50/60 Hz			
Rated output	21 V, 2 A		21 V, 4 A	
Charging time (for 2.0 Ah battery)	65±5mins		35±5mins	
Charging time (for 2.5 Ah battery)	85±5mins		45±5mins	
Charging time (for 4.0 Ah battery)	135±5mins		65±5mins	
Charging time (for 5.0 Ah battery)	160±5mins		85±5mins	
Protection class (for charger)	□ / II			
Weight	0.37 kg		0.42 kg	

ASSEMBLY

1. Unpack all parts and lay them on a flat, stable surface:
2. Remove all packing materials and shipping devices, if applicable.
3. The scope of delivery varies depending on the country and purchased variant:
Model of HTX2-M-EU.
 - Hedge Trimmer x1
 - Blade Cover x1
 - Screw x2
 - Front Handle x1
 - Instruction Manual x1
4. If you find that parts are missing or show damage do not use the product but contact your dealer. Using an incomplete or damaged product represents a hazard to people and property.
5. Ensure that you have all the accessories and tools needed for assembly and operation. This also includes suitable personal protective equipment.



NOTE:

HTX2-M-EU does not include the charger and the battery pack.



WARNING:



Wear protective gloves for this assembly work and always lay the product on a flat and stable surface while assembling.



Follow the assembly instructions step-by-step and use the pictures provided as a visual guide to easily assemble the product!

Do not insert the battery pack before the power tool is completely assembled or adjusted!

ASSEMBLING THE FRONT HANDLE



WARNING:

To avoid serious personal injury and damage to the unit, shut the unit off before removing or installing an attachment.

1. Align and insert the front handle (Fig.2).
2. Fix the front handle with two screws (Fig.3).
3. Check if the handle is firmly seated in case of injury.

REMOVING THE BLADE COVER

Remove the blade cover before turning on the machine (Fig.4). It is recommended to cover the blade when your work is finished.

INSTALLING/REMOVING THE BATTERY PACK



WARNING:

Make sure battery pack snaps in place. Failure to securely seat the battery pack could cause the battery pack to fall out, resulting in serious personal injury.

To install:

Align and slide the battery pack into the slots of the battery docking port until it locks in place (Fig.5).

To remove:

Press the unlock button of battery pack and remove the battery pack from the product.

OPERATION



WARNING:

Always wear eye, hearing, hand, foot and body protection to reduce the risk of injury when operating this unit. Keep all parts of your body away from the rotating cutting attachment and hot surfaces.

SWITCHING ON/OFF

Hold the product as in working condition.

To start the product, press the switch trigger and the interlocking switch at the front handle at the same time.

To switch the product off, release the switch trigger or the interlocking switch (Fig.6).



NOTE:

For safety reasons, both the interlocking switch and the switch trigger must remain pressed during the entire operation.

GENERAL



WARNING:

Always lubricate the cutting blade with protective spray before use and storage.

1. Double check that all parts are properly fixed.
 2. Check the product as well as accessories for damage before each use. Do not use the product if it is damaged or shows wear.
 3. Ensure that the air vents are always unobstructed and clear. Clean them if necessary with a soft brush. Blocked air vents may lead to overheating and damage the product
 4. Wear eye, hearing, hand, foot and body protection.
 5. Always hold the product on its handles. Keep the handles dry and free from lubricant to ensure safe holding.
 6. Keep your body and feet in safety distance to cutting head.
 7. Inspect the area to be cut and remove any foreign objects that will influence your cutting. If the foreign objects can not be removed, e.g. wire fences, please mark and remember it to avoid touching them during cutting.
8. Run the machine to top speed before cutting.
 9. Switch the product off immediately if you are disturbed while working by other people entering the working area. Always let the product come to complete stop before putting it down.
 10. Do not overwork yourself. Take regular breaks to ensure you can concentrate on the work and have full control over the product.
- Clear the area to be cut before each use. Remove all objects such as cords, lights, wire, or loose string which can become entangled in the cutting blade and create a risk of serious personal injury.
 - Before starting the hedge trimmer, hold the unit with both hands with the cutting blades directed away from you. Always use the hedge trimmer properly.
 - Do not force the hedge trimmer through heavy shrubbery. This can cause the blades to bind and slow down. If the blades slow down, reduce the pace.
 - Do not try to cut stems or twigs that are larger than 3/4 in. thick, or those obviously too large to feed into the cutting blade. Use a non-powered hand saw or pruning saw to trim large stems.
 - If blades do become jammed, stop the product, allow the blades to stop and remove the battery pack before



NOTE:

In some countries regulations define at what time of the day and on what special days products are allowed to be used and what restrictions apply! Ask your community for detailed information and observe the regulations in order to preserve a peaceful neighborhood and avoid committing administrative offences.

CUTTING TIPS



WARNING:

Never cut near electric cords or lines. If blade jams on any electrical cord or line, **DO NOT TOUCH THE BLADE! IT CAN BECOME ELECTRICALLY LIVE AND VERY DANGEROUS.** Continue to hold the hedge trimmer by the insulated rear handle or lay it down and away from you in a safe manner. Disconnect the electrical service to the damaged line or cord before attempting to free the blade from the line or cord. Contact with the blade, other conductive parts of the hedge trimmer, or live electric cords or lines will result in death by electrocution or serious injury.

- Clear the area to be cut before each use. Remove all objects such as cords, lights, wire, or loose string which can become entangled in the cutting blade and create a risk of serious personal injury.
- Before starting the hedge trimmer, hold the unit with both hands with the cutting blades directed away from you. Always use the hedge trimmer properly.
- Do not force the hedge trimmer through heavy shrubbery. This can cause the blades to bind and slow down. If the blades slow down, reduce the pace.
- Do not try to cut stems or twigs that are larger than 3/4 in. thick, or those obviously too large to feed into the cutting blade. Use a non-powered hand saw or pruning saw to trim large stems.
- If blades do become jammed, stop the product, allow the blades to stop and remove the battery pack before

- attempting to remove the obstruction.
- If desired, you can use a string to help cut your hedge level. Decide how high you want the hedge.
- Then, stretch a piece of string along the hedge at this height. Trim the hedge just above this guide line of string. Trim the side of a hedge so that it will be slightly narrower at the top. More of the hedge will be exposed when shaped this way, and it will be more uniform.
- Always hold hedge trimmer with both hands when operating. Use a firm grip on the handles. Never hold shrubs with one hand and operate the hedge trimmer with the other. Improper operation of the hedge trimmer could result in serious injury. The unit is used for cutting in either direction in a slow, sweeping action from side to side.
- Wear gloves when trimming thorny or prickly growth. When trimming new growth, use a wide sweeping action, so that the stems are fed directly into the cutting blade. Older growth will have thicker stems and will be trimmed easiest by using a sawing movement.
- The risk of the operation may occurs, such as the sharp tree branches may cut the user's skin, the blade of the unit may hurt the user's body. Always wear eye, hearing, hand, foot and body protection to reduce the risk of injury when operating this unit.

HOW TO CHARGE THE BATTERY PACK



WARNING:

This Lithium-Ion battery pack is shipped partially charged. Fully charge the battery pack before using it for the first time.



NOTE:

Charge batteries at a ambient temperature of 0°C-40°C.

- Charge the Lithium-Ion battery pack only with the correct charger.
- Connect the charger to a power supply, the light indicator of the charger turns red.
- Align the raised ribs of the battery pack with the slot in the charger.
- Insert the battery pack into the charger, the light indicator of the charger turns green and it flashes.
- The charger will communicate with the battery pack to evaluate the condition of the battery pack (Fig.7).

- It is fully charged that the four lights of the battery turn on. Disconnect the power supply from the charger. Remove battery pack from the charger.

CHARGING INDICATOR

Press the light button (Fig.8) to check the battery pack whether needs to charge.

Lights			Remaining Capacity
Lighted	Off	Blinking	
			75% - 100%
			50% - 75%
			25% - 50%
			5% - 25%
			< 5% (need to be charged)



WARNING:

Malfunctions may occur when the four lights blinking in turns.

OVERHEAT PROTECTION

When the tool/battery is overheated, the tool stops automatically. In this situation, let the power tool/battery cool before turning the tool on again.

OVERDISCHARGE PROTECTION

When the battery capacity is not enough, the tool stops automatically. In this case, remove the battery from the tool and charge the battery.

MAINTENANCE



WARNING:

Always switch the product off, remove the battery pack and let the product cool down before performing cleaning and maintenance work!

Always wear eye, hearing, hand, foot and body protection to reduce the risk of injury when operating this unit.

Only perform cleaning and maintenance work according to these instructions! All further works must be performed by a qualified specialist!

And only use specified spare parts for replacement.

LUBRICATING THE BLADE



WARNING:

Always allow the blades of the hedge trimmer to come to a complete stop and pull out the battery pack before lubricating. Failure to do so could result in accidental starting causing possible serious personal injury.

For easier operation and longer blade life, lubricate the hedge trimmer blade before and after each use.

If you will not be using the hedge trimmer for an extended time, it is advisable to oil the blade periodically.

Stop the hedge trimmer. Pull out the battery pack from the product. Lay the hedge trimmer on a flat surface and apply light weight machine oil along the edge of the top blade (Fig.9).

SHARPENING THE BLADE



WARNING:

During the maintenance, users should take care of their safety. Always wear eye, hearing, hand, foot and body protection to reduce the risk of injury when operating this unit. And check the unit that it can work normally after the maintenance. If any deterioration occurs, follow the maintenance according to this instruction!



NOTE:

Allow the blades of the hedge trimmer to come to a complete stop in the position shown. This will allow clearance for the file between the cutter teeth and the guard teeth.

Remove and pulling out the battery pack from the product.

Clamp the blade assembly in a vise and file the exposed cutting surface of each blade tooth with an 8 in. smooth round file, 1/4 in. or 7/32 in. in diameter. Be sure to retain the original angle of the tooth when filing.

In order to file both sides of each cutter tooth, you may need to momentarily run the hedge trimmer until the opposing side of the cutter teeth are exposed. Do not run the hedge trimmer while it is locked into the vise. Make sure all tools for sharpening have been removed before installing the battery. Remove the battery pack and repeat the sharpening process for the newly exposed teeth (Fig.10).

CLEANING

Switch the product off, pull out the battery pack from the product.

Use a small brush to clean the outside of the unit. Do not use strong detergents. Household cleaners that contain aromatic oils such as pine and lemon, and solvents such as kerosene, can damage plastic. Wipe off any moisture with a soft cloth.



NOTE:

If the cutting blade is blocked by foreign objects during the operating, stop the product, wait for the cutting blade stops entirely, remove the foreign objects and clean the cutting blade.

TRANSPORT

- Clean the product as described above.
- Install the blade cover during the transport.
- Always carry the product by its handle.
- Protect the product from any heavy impact or strong vibrations which may occur during transportation in vehicles.
- Secure the product to prevent it from slipping or falling over,damage or injury.

STORAGE

- Clean the product as described above.
- Store the product and its accessories in a dark, dry, frost-free, well-ventilated place.
- Always store the product in a place that is inaccessible to children. The ideal storage temperature is between 10°C and 30°C.
- We recommend using the original package for storage or covering the product with a suitable cloth or enclosure to protect it against dust.



NOTE:

To prolong battery life, never store battery pack in a completely discharged condition. Make sure the battery pack is charged once per year or when the LED indicator shows only one light.

DISPOSAL

Waste product should not be disposed of with household waste. Please recycle where facilities exist.

Check with your local authority or retailer for recycling advice.



Electrical products should not be discarded with household products. Used electrical products must be collected separately and disposed of at collection points provided for this purpose. Talk with your local authorities or dealer for advice on recycling.

TROUBLESHOOTING

Suspected malfunctions are often due to causes that the users can fix themselves. Therefore, check the product using this section. In most cases the problem can be solved quickly.

PROBLEM	POSSIBLE CAUSE	SOLUTION
Product does not start	Battery pack not properly attached	Attach properly
	Battery pack capacity too low	Remove and charge battery pack
	Battery pack damaged	Check by a specialist electrician
	Switch trigger or interlocking switch not set on ON position	Refer to chapter "SWITCHING ON/OFF"
Product does not reach full power	Battery pack capacity too low	Charge battery pack
	Air vents are blocked	Clean the air vents
Result is unsatisfactory	Cutting attachment is worn	Replace with a new one
Vibration or noise is excessive	Bolts/nuts are loose	Tighten bolts/nuts
Product suddenly stops	Battery pack capacity too low	Remove and charge battery pack
	Battery too hot	Remove battery pack and let it cool down